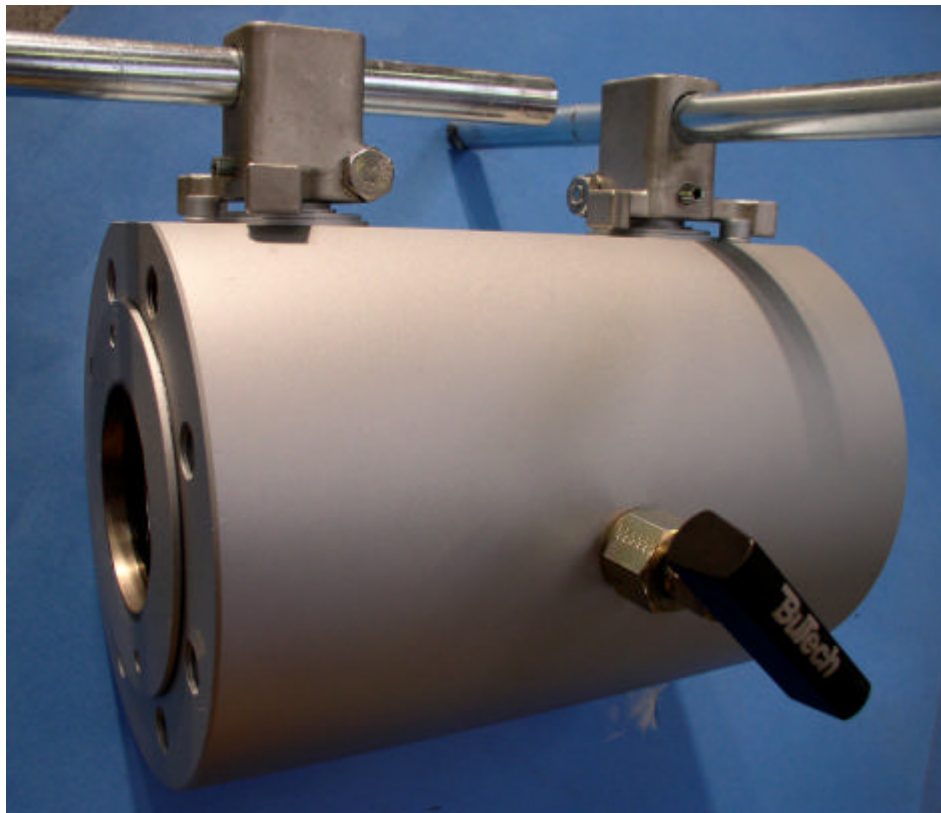


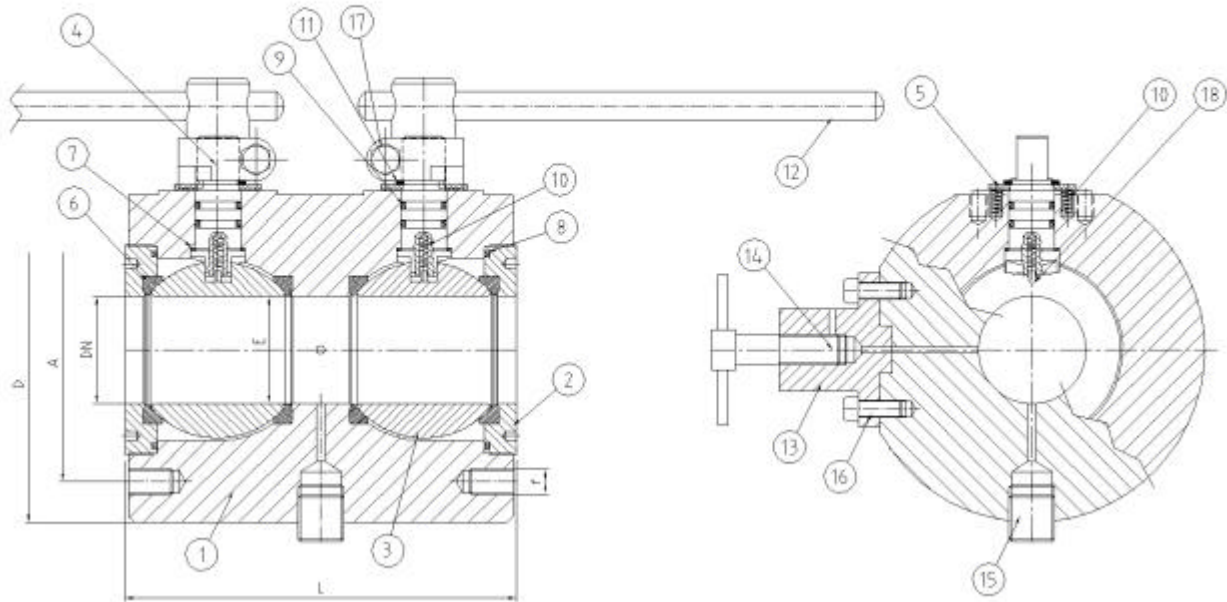
---

## **Wafer Double Block and Bleed Ball Valve**

### **General features:**

- Wafer double block and bleed ball valve
- **Standard face to face dimensions according to ANSI B16.10**
- Screwed or bolted insert, depending on size and class
- Floating ball (trunnion on request)
- Soft and metal seated
- DN 1" to 6", class 150, 300, 600 flanged RF and RTJ
- Antistatic device, fire safe, NACE available
- Carbon steel body, carbon steel ENP or stainless steel trim
- Other materials available upon request





**Dimensions:**

DN	Class 150							Class 300							Class 600						
	E	L	D	A	f	N°	Kg	E	L	D	A	f	N°	Kg	E	L	D	A	f	N°	Kg
1"	25	127	108	79.5	1/2" UNC	4	9.2	25	165	124	89	5/8" UNC	4	15	25	216	124	89	5/8" UNC	4	20
1.1/2"	38	165	127	98.5	1/2" UNC	4	16.5	38	190	156	114	3/4" UNC	4	28	38	241	156	114	3/4" UNC	4	34
2"	50	178	152	121	5/8" UNC	4	25	50	216	165	127	5/8" UNC	8	36	50	292	165	127	5/8" UNC	8	48
3"	65	203	191	152	5/8" UNC	4	44	78	283	210	168	3/4" UNC	8	74	78	356	210	168	3/4" UNC	8	92
4"	75	229	229	191	5/8" UNC	8	70	96	305	254	200	3/4" UNC	8	115	100	432	273	216	7/8" UNC	8	190
6"	120	394	279	242	3/4" UNC	8	177	120	403	318	270	3/4" UNC	12	236	152	559	356	292	1" UNC	12	410

**Bill of materials:**

Item	Description	Material	Item	Description	Material
1	Body	ASTM A105	10	Springs	AISI 316
2	Closure	ASTM A105	11	Seeger ring	C72 ENP
3	Ball	AISI 316	12	Wrench	A105 zincplated
4	Stem	AISI 316	13	Bleed valve	AISI 316
5	Disk	AISI 304	14	Plead pin	AISI 316
6	Seats	Glassfilled PTFE	15	Drain plug	AISI 316
7	Thrust Washer	PTFE	16	Screw	A2-70
8	Sealing ring	Graphite	17	Screw	A2-70
9	O-rings	Viton	18	Piston	AISI 316