

Keilschieber BV 49

MATERIAL

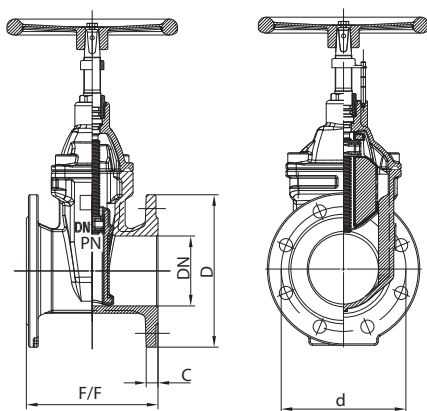
BV49

- XX XX X



Body		
Ductile iron	34	GGG50 Epoxy coated
Gate		
Ductile iron	34	GGG50 Epoxy coated
Gate bonded with		
EPDM	E	
NBR	B	

DIMENSIONS



DN	NPS	PN10	PN16	PN10	PN16	PN10	PN16	F4	F5
		D	D	d	d	C	C	F/F	F/F
40	1 1/2	150	110			19		140	240
50	2	165	125			19		150	250
65	2 1/2	185	145			19		170	270
80	3	200	160			19		180	280
100	4	220	180			19		190	300
125	5	250	210			19		200	325
150	6	285	240			19		210	350
200	8	340	295			20		230	400
250	10	395	405	350	355	22		250	450
300	12	445	460	400	410	24		270	500
350	14	505	520	460	470	24	26	290	550
400	16	565	580	515	525	24	28	310	600
450	18	615	640	565	585	25	30	330	650
500	20	670	715	620	650	26	31	350	700
600	24	780	840	725	770	30	36	390	800
mm	inches	Dimensions in mm							

all dimensions are subject to revision without prior notice