

| BALL VALVES |

# METAL SEATED CUDV

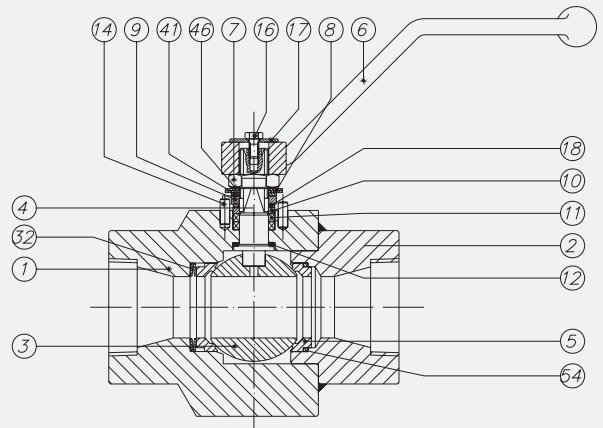
1/2" - 2" | Class 800 - Class 1500

The Ultimate Drain Valve it is a high temperature special design. The valve has got a monobloc welded body and it is reduced bore. This valve is designed to support high temperatures at high pressures.



## Materials METAL SEATED CUDV

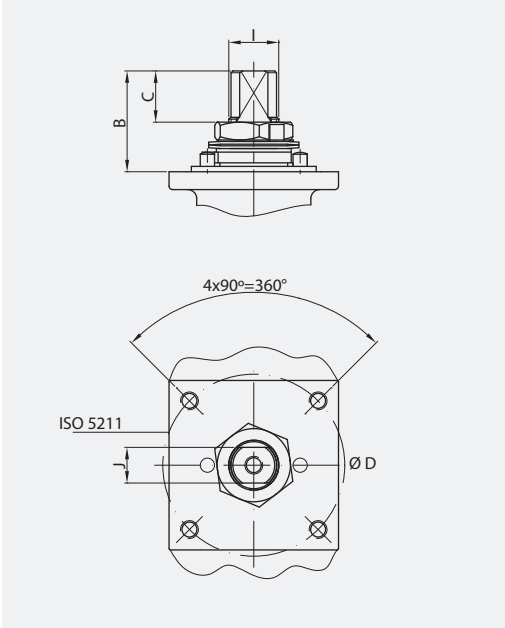
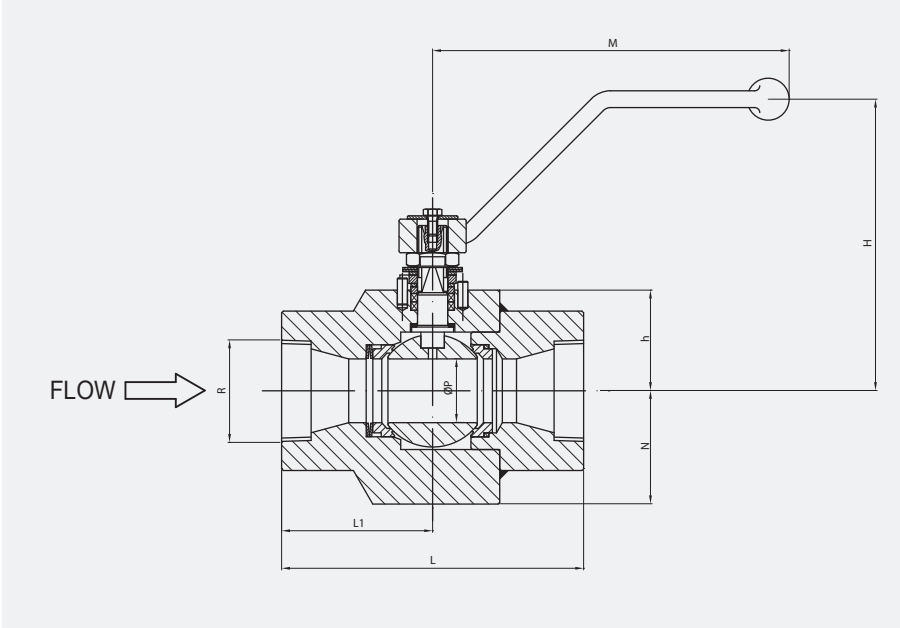
Item	Description	C.S. BODY	S.S. BODY
1	Body	A 105	A 479 Type 316
2	Body connector	A 105	A 479 Type 316
3	Ball	AISI 316 + HT-65 (*)	
4	Stem	17-4 PH + HT-65 (*)	
5	Seat ring	AISI 316 + HT-65	
6	Wrench	GGG-40	
7	Gland nut	Zinc plated carbon st.	AISI 303
8	Disk spring	Carbon St.	E.N.P. Carbon St.
9	Stop plate	Carbon St.	AISI 304
10	Gland	AISI 316 + HT-65	
11	Gland packing	Graphite	
12	Stem thrust seal	AISI 316 + HT-65	
14	Stop pin	Carbon St.	Stainless St.
16	Bolt	DIN 933 5.6 Zinc plated	DIN 933 A2
17	Washer	Carbon St.	Stainless St.
18	Thrust washer	AISI 316 + HT-65	
32	Disk spring	Inconel 718	
41	Spacer	Carbon St.	Stainless St.
46	Washer	AISI 304	
54	Seat gasket	Graphite	



(\*) Other materials under request.

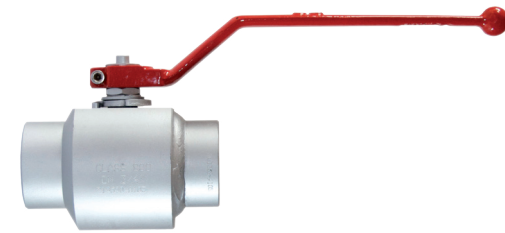
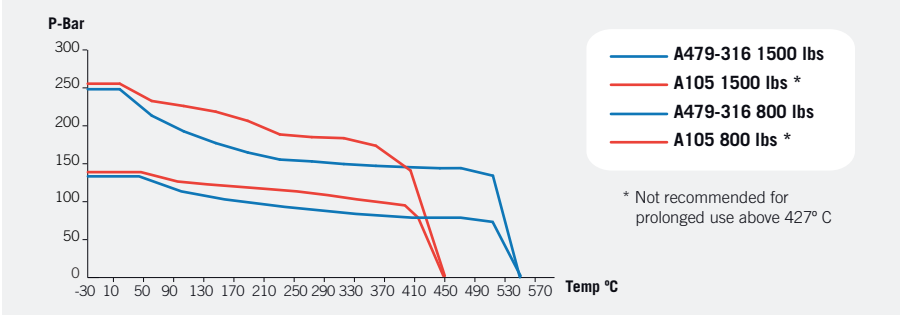
**CUDV CLASS 800 & 1500 AIM & IIM TYPE** **Class 800 / 1500** **Reduced Bore**

Class 800. From ½" to 2" Class 1500. From ½" to 2"



(\*) Diameter of drills ISO 5211 = n x F.

**Pressure - Temperature**



**Fig. CUDV (Class 800)**

DN	ØP	L	L1	R	N	h	H	M	ISO 5211	B	C	ØD	n x F	I	J	WEIGHT	TORQUE	Kv
½"	15	90	45	NPT	37,5	32	102	164	F04	18,4	7,8	42	4 x M5	M12 x1,5	9	3,5	30	11
¾"	15	110	55	NPT	37,5	32	102	164	F04	18,4	7,8	42	4 x M5	M12 x1,5	9	4,5	30	11
1"	20	120	60	NPT	42,5	35,5	106	164	F05	20	8,5	50	4 x M6	M12 x1,5	9	5	37	14
1½"	28	150	75	NPT	60	50	111	210	F05	31,5	15,5	50	4 x M6	M16 x1,5	12	6	102	30
2"	36	180	90	NPT	67,5	60	128	213	F07	38,5	19	70	4 x M8	M18 x1,5	13	10	173	72

**Fig. CUDV (Class 1500)**

DN	ØP	L	L1	R	N	h	H	M	ISO 5211	B	C	ØD	n x F	I	J	WEIGHT	TORQUE	Kv
½"	15	90	45	NPT	37,5	32	102	164	F04	18,4	7,8	42	4 x M5	M12x1,5	9	3,5	39	11
¾"	15	110	55	NPT	37,5	32	102	164	F04	18,4	7,8	42	4 x M5	M12x1,5	9	4,5	39	11
1"	20	120	60	NPT	42,5	35,5	106	164	F05	20	8,5	50	4 x M6	M12x1,5	9	5	54	14
1½"	28	150	75	NPT	60	50	111	210	F05	31,5	15,5	50	4 x M6	M16x1,5	12	6	161	30
2"	36	180	90	NPT	67,5	60	128	213	F07	38,5	19	70	4 x M8	M18x1,5	13	10	287	72

(\*) Dimensions in mm and weight in kg.  
(\*\*) Weights and dimensions can be changed without notice.