

Zwischenbau-Rückschlagklappe BV 39



MATERIAL

BV39

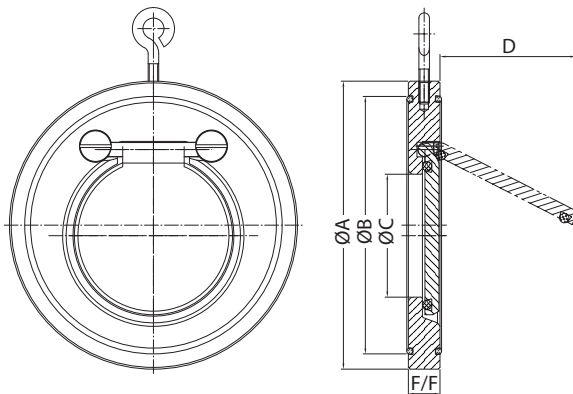
- XX XX X

Body		
Alu-Bronze	13	ASTM B148 C95400
Bronze	14	CuSn12
Cast steel	45	A216 WCB Zn plated
Stainless steel	66	CF8M

Disc		
Alu-Bronze	13	ASTM B148 C95400
Bronze	14	CuSn12
Cast steel	45	A216 WCB Zn plated
Stainless steel	66	CF8M

Seat	
EPDM	E
NBR	B
FKM/FPM	V
PTFE	T
METAL	M

DIMENSIONS



DN	NPS	PN 10		PN 16		D	F/F
		A	A	B	C		
32	1 1/4	85	59	18	22	15	
40	1 1/2	95	72	22	25	16	
50	2	109	86	32	37	14	
65	2 1/2	129	109	40	50	14	
80	3	144	119	54	61	14	
100	4	164	146	70	77	18	
125	5	195	173	92	98	18	
150	6	220	197	112	120	20	
200	8	275	255	154	160	22	
250	10	330	331	312	192	36	
300	12	380	386	363	227	32	
350	14	440	446	416	266	U/R	
400	16	491	499	467	310	U/R	
450	18	541	558	520	340	U/R	
500	20	596	621	550	400	U/R	
600	24	698	738	660	470	U/R	
mm	inches	Dimensions in mm ; U/R = Upon Request					

all dimensions are subject to revision without prior notice