

# Kugelrückschlagarmatur BV 41



## MATERIAL

BV41

- XX XX X

Body (*)		
Cast iron	28	GG25 Epoxy coated
Ductile iron	28	GGG40 Epoxy coated

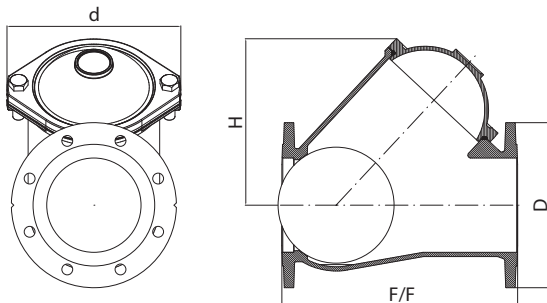
Ball (*)		
Phenolic resin	10	Phenolic resin
Aluminium / nitrile	10	ALU + NBR coated
Ductile iron / nitrile	10	GGG40 + NBR coated
Polyurethane	10	PU

Seat	
NBR	B

(\*) different materials depending size

## DIMENSIONS



DN	NPS	PN 10 PN 16 A 150			d	F/F	
		H	D	D			
40	1 1/2	90	150		120	180	
50	2	115	165		140	200	
65	2 1/2	135	185		155	240	
80	3	160	200		185	260	
100	4	190	226		220	300	
125	5	222	253		255	350	
150	6	268	285		290	400	
200	8	335	342		370	500	
250	10	420	403		380	600	
300	12	495	445	455	483	700	
350	14	580	505	520	533	800	
400	16	730	565	580	620	900	
500	20	900	670	715	699	1100	
mm	inches						

Dimensions in mm

all dimensions are subject to revision without prior notice