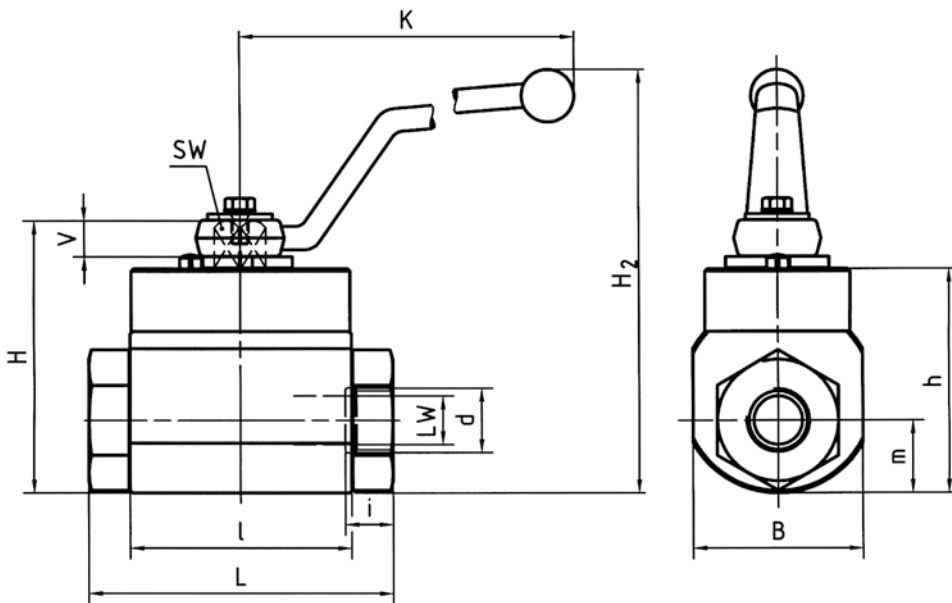


# Hochtemperatur-Muffenkugelhahn, MKHT

## High temperature ball valve, MKHT

FlowControl Technology



### DIN ISO 228 Rohrrinnengewinde DIN ISO 228 Female Thread

Type	DN	LW	L	I	B	H	h	m	V	SW	K	i	d	H <sub>2</sub>	Griff Lever	Gew. Weight <sub>kg</sub>
MKHT-G1/8	4	5	90	66	50	85	66	17	14	14	170	10	G1/8	136	St	1,90
MKHT-G1/4	6	5	90	66	50	85	66	17	14	14	170	14	G1/4	136	St	1,90
MKHT-G3/8	10	10	95	71	55	90	72	21	14	14	170	14	G3/8	142	St	2,40
MKHT-G1/2	13/16	15	110	81	70	105	87	27,5	14	14	170	16,3	G1/2	157	St	4,10
MKHT-G5/8	16	15	110	81	70	105	87	27,5	14	14	170	16	G5/8	157	St	4,30
MKHT-G3/4	20	20	125	91	70	113	92	30	16,5	17	306	18	G3/4	177	St	4,70
MKHT-G1	25	25	140	101	80	125	104	35,5	16,5	17	306	20	G1	189	St	6,40
MKHT-G1 1/4	32	32	170	131	100	155,5	134,5	41,5	16,5	17	306	22	G 1 1/4	220	St	10,80
MKHT-G1 1/2	40	38	180	141	120	176	155	55	16,5	17	306	24	G 1 1/2	240	St	15,00
MKHT-G2	50	48	190	141	130	187	165,5	60,5	16,5	17	306	26	G2	251	St	19,00

# Edelstahl Stainless Steel

FlowControl Technology

**Bestelltext / Order text: MKHT500-DN4-G1/8-44Fd**  
**Bestellnr. / Order no.: 38428**

Werkstoffe / Materials	44Fd	44gd
Gehäuse / Body	Edelstahl / AISI 316	Edelstahl / AISI 316
Kugel / Ball	Edelstahl / AISI 316	Edelstahl / AISI 316
Schaltwelle / Stem	Edelstahl / AISI 316	Edelstahl / AISI 316
Kugeldichtungen / Ball seats	Edelstahl / AISI 316	PEEK
Dichtringe / Seal rings	Reingrafit / Pure Graphite	Reingrafit / Pure Graphite
Tmax	500°C	260°C

Type	PN [MPa]	Best.Nr. Order no.	Kat.	Type	PN [MPa]	Best.Nr. Order no.	Kat.
MKHT500	16	38428	5	MKHT260	16	38444	5
MKHT500	16	38440	5	MKHT260	16	38445	5
MKHT500	16	38441	5	MKHT260	16	38446	5
MKHT500	16	35946	5	MKHT260	16	38447	5
MKHT500	16	38442	5	MKHT260	16	38448	5
MKHT500	16	12255	5	MKHT260	16	22840	5
MKHT500	16	20310	5	MKHT260	16	38449	5
MKHT500	16	12198	5	MKHT260	16	38450	5
MKHT500	16	12209	5	MKHT260	16	38451	5
MKHT500	16	38443	5	MKHT260	16	38452	5